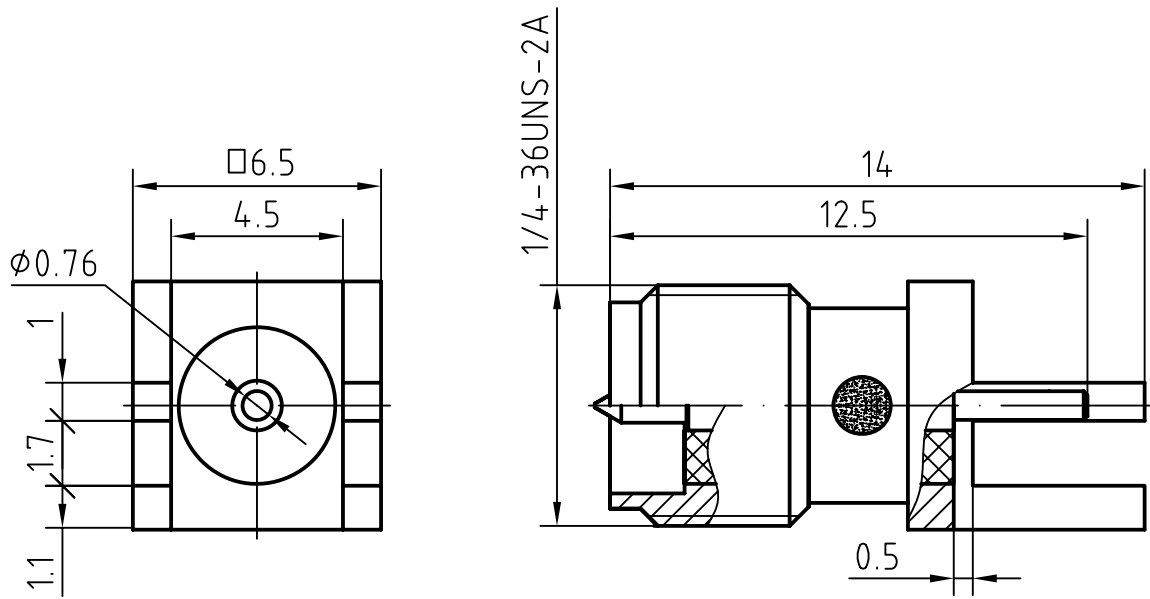
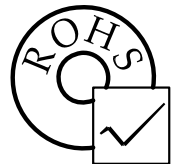
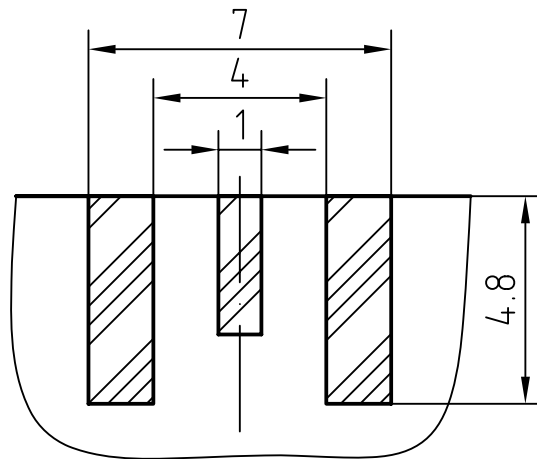


DRAWING



RECOMMENDED MOUNTING PAD



3	1	Body	Brass/Gold plated	
2	1	Insulator	PTFE	
1	1	Center contact	Brass/Gold plated	
Itemref	Quantity	Title/Name, designation, material, dimension etc		Article No./Reference

Designed by Mingang Han	Checked by Zhichao Gao	Approved by - date Hongyu Du	File name (RP)SMA-JHDC	Date 15.09.15	Scale 6 : 1
----------------------------	---------------------------	---------------------------------	---------------------------	------------------	----------------

	China Xi'an Honor Scien-tech Co.,Ltd		(RP)SMA-JHDC	
			Edition 1.0	Sheet 1/1

## CHARACTERISTICS

DESCRIPTION: RP SMA Type female edge mount connector

### Electrical data:

<i>Impedance:</i>	50 ohm
<i>Frequency range:</i>	DC to 18 GHz
<i>VSWR:</i>	$\leq 1.04 + 0.02 \times f \text{ [GHz]}$
<i>Insertion loss:</i>	$\leq 0.05 \times \sqrt{f \text{ [GHz]}} \text{ dB}$
<i>Insulation resistance:</i>	$\geq 5000 \text{ M}\Omega$
<i>Test voltage:</i>	1000 V rms
<i>Working voltage:</i>	480 V rms
<i>Contact resistance:</i>	
1). Centre contact:	3.0 m $\Omega$
2). Outer conductor:	2.0 m $\Omega$
<i>Power handling</i> (at 20 °C, sea level, VSWR 1.0):	$\leq 200 \text{ W @ 2 GHz};$
<i>RF-leakage:</i>	$\geq 100 \text{ dB up to 1 GHz}$

- Limitations are possible due to the used cable type -

### Environmental data:

<i>Temperature rating:</i>	-65 ° C to +165 ° C
<i>2002/95/EC (RoHS):</i>	Compliant

### Mechanical data:

<i>Mating cycles:</i>	$\geq 500$
<i>Coupling nut retention</i>	$\geq 27 \text{ N}$
<i>Coupling test torque:</i>	$\leq 1.1 \text{ Nm}$
<i>Recommended torque:</i>	0.46 Nm to 0.69 Nm

### Suitable cables:

N/A



XAHONOR Scien-tech Co.,Ltd

[Http://www.xahonor.com](http://www.xahonor.com)

E-mail:sales@xahonor.com